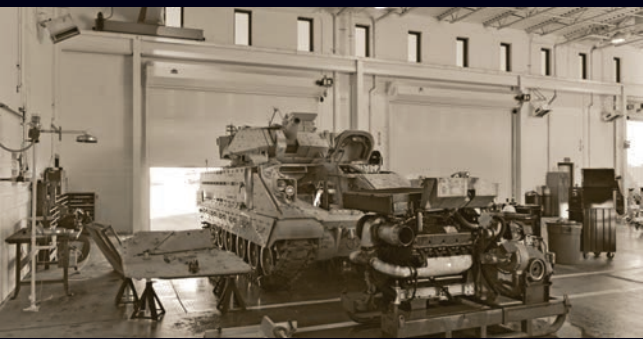




ClimateGuard™ IS3014



Extreme temperatures, glaring sun, high winds, rain and snow. ClimateGuard™ is built to withstand it all.



www.McKeonDoor.com

“As quiet as a library.”

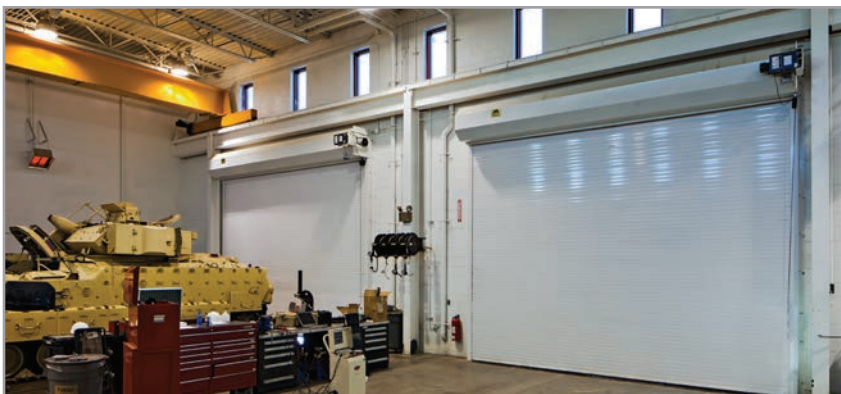
CW 3 Tom McElroy



“We had no idea how quiet they would make the shops ... no more wind whistles and no more door rattling. The shop sounds more like a library now than a vehicle maintenance shop.”

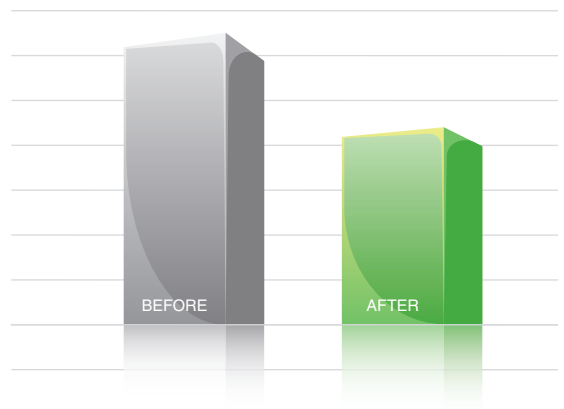
*CW 3 Tom McElroy
Project Manager
US Army National Guard*

WHEN THE NEVADA unit of the US Army National Guard replaced the original bay doors of their vehicle maintenance shops with the insulated McKeon ClimateGuard™ IS3014 they saw a significant reduction in their energy costs. But that’s not all! The solid slat construction and tight-fitting door seals also made the shop as quiet as a library. No more rattling doors and whistling wind. Over time, ClimateGuard’s high quality components have stood up to repeated use and damaging UV rays. The durable finishes have weathered the relentless glare of the sun. Lower utility bills, an improved working environment, and minimal maintenance costs have made the Nevada Army National Guard a satisfied customer.



Natural gas usage dropped approximately 33% when the original bay doors in this maintenance facility were replaced with the ClimateGuard IS3014.

Natural Gas Usage Comparison



“Nearly bulletproof.”

CW 3 Tom McElroy



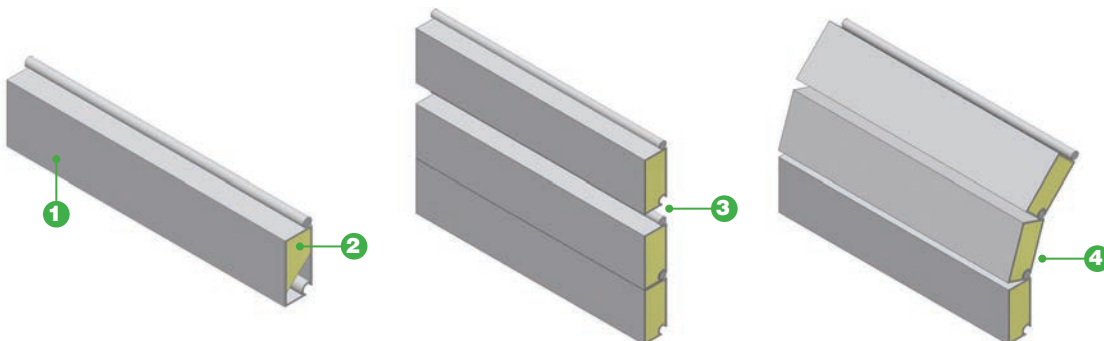
All exposed steel and aluminum is powder coat finished for durability and longevity.

Features of the IS3014

- Vertical coiling
- Requires a minimum amount of head and side room
- Can be designed as a self-opening assembly to allow for egress
- Designed and manufactured to withstand 40 p.s.f. wind load
- Door assembly is designed to perform for a minimum of 50,000 cycles
- An “R” value rating of 7.0, the highest thermal protection in the industry
- Durable powder coat finish is virtually maintenance free

“The extruded 14-gauge aluminum insulated slats are nearly bulletproof. They deflect the heat of the Las Vegas sun and the powder coat finish does not fade or need any maintenance.”

*CW 3 Tom McElroy
Project Manager
US Army National Guard*



- 1 Extruded 14-gauge aluminum slats
- 2 Insulated for climate and noise control
- 3 Each slat is solidly fitted for a tight seal
- 4 Flexible joints for smooth operation

“Best system we’ve ever seen.”

CW 3 Tom McElroy

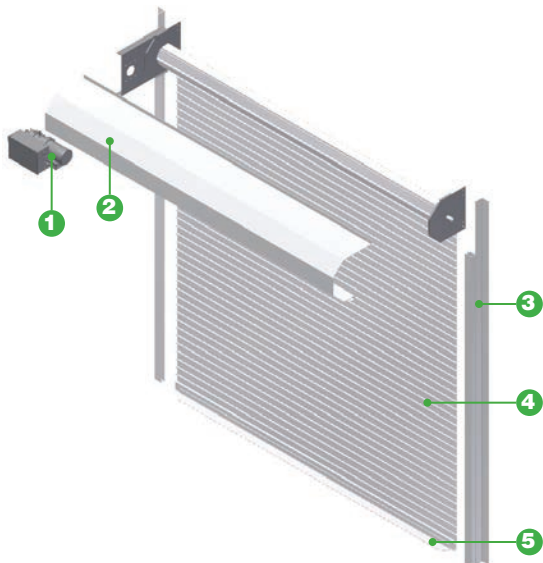


“The integrated brush seals are the best system we’ve ever seen for bay doors. No UV breakdown, no air movement.”

CW 3 Tom McElroy
Project Manager
US Army National Guard



- 1 Side guides are designed with wind bars to engage and retain the curtain under heavy wind load pressures
- 2 Concealed integral nylon brush weather seals extend the full height of both side guides to minimize air infiltration



- 1 Motor operator
- 2 Aluminum hood with powder coat finish
- 3 Guide assembly
- 4 Insulated extruded aluminum slats with powder coat finish
- 5 Bottom bar with safety edge



McKEON DOOR COMPANY

Corporate Headquarters

44 Sawgrass Drive
Bellport, NY 11713 USA

Phone: 800-266-9392

Fax: 631-803-3030

Email: info@mckeondoor.com

www.McKeonDoor.com

Regional Centers

New York City

Los Angeles

Las Vegas

Salt Lake City

Washington DC